



THERMOCOUPLE AMPLIFIER

K type*

Aluminium housing

Patent US_6,942,382

Dimensions : 33.5 x 19 x 10 mm

FR_0209687

Weight : 15 g

Range Target (thermocouple end) reference	-50 to 200°C K THAK 200	-100 to 400 °C K THAK 400	0 to 1250°C K THAK 1250
Supply	5 to 16 Volts	5 to 16 Volts	5 to 16 Volts
Output	0 to 5 Volts	0 to 5 Volts	0 to 5 Volts
Sensitivity	20 mV / °C	10 mV / °C	4 mV/°C
Signal @ 0°C	1V	1V	0V
Initial Accuracy:	+/-1 °C	+/-1 °C	+/-2 °C
Relative error (output/theoretical value) 1 (0 to 80°C amplifier temp.)	+/- 0.5 %	+/- 0.5 %	+/-1 %

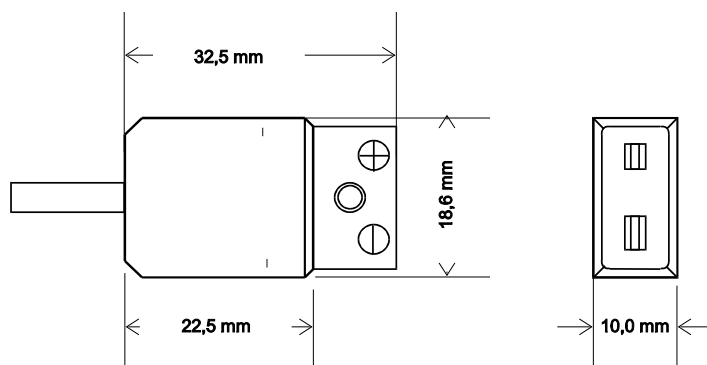
1 Due to linear amplification of thermocouple voltage (table available on texys.fr : tech support)

Ambient (amplifier) Temperature : 0 to 120°C

Connection : 1 metre of 3 x AWG 26 PTFE shielded cable (other length or wires on request)

Cable shield connected to case

Std connections Red : Supply (5 to 16 Volts) **White :** Output signal **Blue :** GND (0 Volt)



* other types on request : T, J, R, ...

**TEXYS
INTERNATIONAL**

ZA des Chamonds
Rue Edouard Branly
58640 Varennes-Vauzelles
(FRANCE)

Tel. : +33 (0) 3 86 21 27 18

Fax : +33 (0) 3 86 21 24 49