



SPACE QUALIFIED IN-FLOW, LIGHTWEIGHT, LOW NOISE PRESSURE TRANSDUCER

Model 7901 “S” Class Electronics Available

Designed for the tough challenges and environmental rigors of space propulsion and aviation pressure testing.

- Miniature Propulsion Platforms
- Space Vehicles
- Satellite Propulsion
- Launch Vehicles
- Life Support Systems

FEATURES

- <3 mV peak-to-peak noise on output
- Under 55 grams mass (depending on desired options)
- High Accuracy, 0.3% RSS standard (0.1% RSS available)
- “S” Class electronics available
- Rad-Hard 100 KRAD optional
- Flow-Thru design
- Isolated outputs for EMI/RFI
- Optional temperature compensation ranges
- Temperature (RTD) output optional
- Shock and Vibration tested to MIL-STD-810C&E requirements



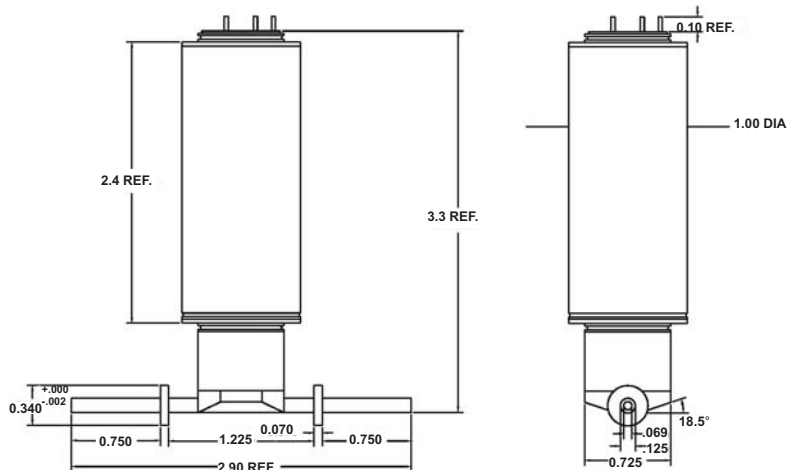
Heritage Includes:

- NASA Goddard
- NASA Marshall

All GP:50 Aerospace pressure transducers are manufactured and tested to the following MIL-STD and MIL-Spec standards to insure the highest quality assurance:

- NIST Traceability and Calibration..... MIL-STD-45662A
- Workmanship J-001 / NASA 8739.3 standards
- Quality System ISO 9001:2000

Designed to: MIL-STD-810C&E
MIL-STD-461/462D&E



Units are in inches.

GP:50 reserves the right to make product improvements and amendments to the product specifications stated throughout this brochure without prior notification. Please contact the factory on all critical dimensions and specifications for verification.



Pressure, Level & Temperature Transmitters & Transducers



Tect Electronics

The authorized distributor in the Greater China Region

Specifications reflect standard product, improved performance/mechanical options available. Modifications may alter specs, consult factory for more information.

Ranges	15 thru 5,000 PSIA, PSIG or PSISG options
FS Output at Rated Pressure	3 mV/V, 0-5 Vdc Isolated, 0-10 Vdc Isolated
Proof Pressure	1.5X
Burst Pressure	2.0X
Excitation or Input Voltage Reverse Polarity Protected	5 Vdc, 12Vdc, 18V to +36 Vdc Isolated
Non-Repeatability	<0.1% FSO
Non-Linearity	<0.2% FSO
Hysteresis	<0.2% FSO
Static Accuracy RSS	<0.3% FSO RSS, 0.1% optional
Error Band (all 5 parameters)	1.0% standard
Pressure Medium (Wetted Materials)	316SS
Temperature Compensation	-20° to +120°F / -30° to +50°C, expanded range optional
Operating/Environmental Temperature	-100°F to +250°F
Weight	<55 grams
Pressure Port	Welded 1/4" ID SS Tube, flow through, in-line design (other ports available)
Electrical Connector	MIL PTIH-10-6P (other connectors available)
Response Time	Under 4 ms
Meets MIL-STD-461/462 EMI/RFI and 810C&E	

ORDERING GUIDE:

Some options will affect dimensions, consult factory if important.
Use the following codes to identify desired item.

MODEL	OUTPUT	RANGE	PRESSURE TYPE	OPTIONS
●	—	●	—	●

Example: 7901-2-RH-A-CA/FD/GH

OUTPUT

1	0-3 mV/V
4	0-5 Vdc Isolated
6	0-10 Vdc Isolated

RANGE (PSI)

PP	0-15	RK	0-750
PR	0-20	RM	0-1000
PO	0-25	RO	0-1500
PV	0-50	RR	0-2000
PZ	0-100	RT	0-3,000
RB	0-150	RV	0-5,000
RD	0-200		
RF	0-300		
RH	0-500		

PRESSURE TYPE

A	Sealed Absolute, ref to vacuum
G	Gauge, ref to atmosphere
SG	Sealed Gauge, ref to 14.7 PSI

OPTIONS

CONNECTORS OR CABLE:

CA	PTIH-10-6P Bendix
CI	D38999/27YB98PN
CT	36" Teflon Jacket Cable
DB	D38999/27YA35PN

PORTS

FA	MS33649-4, 7/16-20 (F)
FD	MS33656-4, 7/16-20 (M)
IF	Welded 1/8" ID SS Tube

MISC:

D	Improved Accuracy to 0.1%
GF	Expanded process temperature range, -65 to 250°F (±2% FSO/100°F)
GH	100% Internal Shunt
GL	Cleaning for oxygen service
JA	100 ohm 2 wire RTD
JB	1000 ohm 2 wire RTD
ME	Shunt Cal, 80% Internal

2770 Long Road, Grand Island, NY 14072 USA

Tel. (716) 773-9300 Fax (716) 773-5019 E-mail:sales@gp50.com website:www.gp50.com