

# EXTENDED NOSE FLUSH DIAPHRAGM LEVEL TRANSMITTER

## Model 385

A variable capacitance all-welded type 316L stainless steel differential pressure sensor is the heart of this transmitter. It provides true gauge pressure measurement and allows full washdown without cumbersome vent tubes.

### FEATURES:

- 3A approved
- Nema 6X rated enclosure
- Adaptable to all standard receivers

### PRESSURE RANGES:

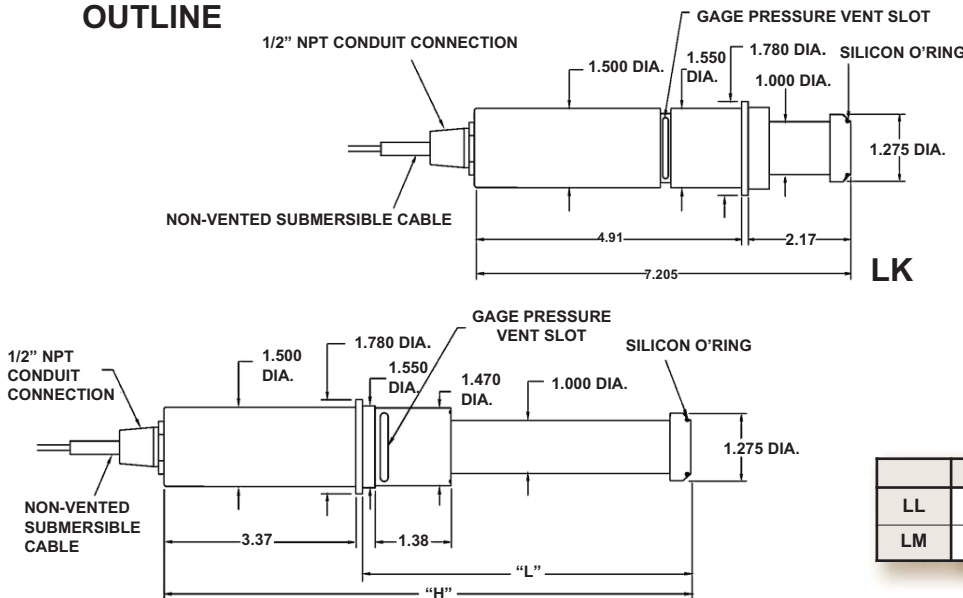
- From 0-20 inwc to 0-50 psig

### ACCURACY:

- From 0.1% to 0.5% FSO



### OUTLINE



	"H"	"L"
LL	9.982	6.487
LM	12.307	8.812

Some options will affect dimensions. Consult factory if important.

### WIRING CODE

	385
A/1 RED	+ EXC./SIGNAL
B/2 GREEN	NC
C/3 WHITE	NC
D/4 BLACK	- EXC./SIGNAL
E/5 BLUE	NC
F/6 BROWN	NC
SHIELD	OPEN

GP:50 reserves the right to make product improvements and amendments to the product specifications stated throughout this brochure without prior notification. Please contact the factory on all critical dimensions and specifications for verification.



# Pressure, Level & Temperature Transmitters & Transducers

Specifications reflect standard product, improved performance/mechanical options available. Modifications may alter specs, consult factory for more information.

<b>Accuracy</b>	<b>(Static error band includes non-linearity, hysteresis, non-repeatability)</b> ±0.5% FSO RSS ±0.2% FSO RSS ±0.1% FSO RSS
<b>Wetted Parts</b>	Type 316L stainless steel
<b>Temperature Limits</b>	Compensated 0° F to +180° F Operating -20° F to +200° F
<b>Temperature Compensation</b>	Zero Less than ±2.0% FSO/100° F Span Less than ±2.0% FSO/100° F
<b>Electricals</b>	<b>(Model 385)</b> Excitation Voltage 13 - 37 Vdc Output at 70° F 4-20 mA ±2% FSO Load Impedance 1200 ohms max at 37 Vdc & 600 ohms max at 24 Vdc Zero Balance 4.0 mA ±2% FSO at 70° F Resolution Infinite RFI Protection included
<b>Mechanicals</b>	Proof Pressure 3 times full scale pressure Burst Pressure 6 times full scale pressure Weight 29 oz. nominal
<b>Enclosure</b>	All-welded type 316 stainless steel. Rated NEMA-6X. Approved 3A
<b>Identification</b>	Etched into body
<b>Connections</b>	Pressure Fits standard GP:50 flush mounted weld receiver (see options for King-Gage crossover) Electrical Cable 1/2" NPT (M) thread with 20' Belden 9536, 6' conductor cable or equiv.

## ORDERING GUIDE:

Ordering: Specify model, and pressure range and indicate modifications or accessories required. Use the following codes to identify desired item.

MODEL	SERIES	RANGE	PORT	OPTIONS
●	+	●	+	●/●

Example: 385-C-XK-LL-JH

### SERIES (Accuracy)

<b>B</b>	0.5% FSO
<b>C</b>	0.2% FSO
<b>D</b>	0.1% FSO

### PRESSURE RANGE

INWC	PSI
<b>XB</b> 20	<b>PC</b> 1
<b>XC</b> 25	<b>PE</b> 2
<b>XD</b> 30	<b>PG</b> 3
<b>XF</b> 50	<b>PJ</b> 5
<b>XH</b> 75	<b>PL</b> 7.5
<b>XK</b> 100	<b>PN</b> 10
<b>XM</b> 150	<b>PP</b> 15
<b>XO</b> 200	<b>PR</b> 20
<b>XQ</b> 300	<b>PT</b> 30
<b>XS</b> 500	<b>PV</b> 50
<b>XU</b> 750	<b>SZ</b> Other
<b>XW</b> 1,000	

### PRESSURE PORT

<b>LK</b>	Short, fits receiver P/N: 4A7-14.5-2 (Matches King-Gage P/N 5701-1-xx)
<b>LL</b>	Standard, fits receiver P/N: 4A7-14.3-2 (Matches King-Gage P/N 5702-1-xx)
<b>LM</b>	Long, fits receiver P/N: 4A7-14.1.2 (Matches King-Gage P/N 5703-1-xx)

### OPTIONS

<b>AA</b>	Standardized Output to ±0.5% FSO
<b>GB</b>	Alternate pressure range, pressure units, or full scale outputs that are non-standard.
<b>GE</b>	Improved temperature compensation to ±0.5% FSO/100°F for zero & span respectively.
<b>GF</b>	Expanded process temperature range, -65 to 250°F (±2.0% FSO/100°F.)
<b>GJ</b>	Add can mounted. Zero/span controls (approx. ±20% FSO adjustment)
<b>JH</b>	Remote cable mounted zero and span controls. 3' cable on open side. Cable on closed side as required.
<b>JV</b>	Voltage surge (lightning) protection.
<b>JY</b>	Zero balance electronic clamp to prevent transmitter signal from dropping below 4.0 mA.
<b>GZ</b>	Custom special