



TRANSDUCER/TRANSMITTER & TEMPERATURE PROBE

Models 135, 235, 335

FEATURES:

- Pressure and temperature measurement from a single mounting well
- Rugged, all-welded, all stainless steel construction
- Interchangeable with existing systems
- Adjustable calibration signal option
- Replaceable thermocouple during use (Type J std.)
- Internal Calibration Resistor set to 80% $\pm 0.5\%$ FSO
- Zero and Span controls, approximately $\pm 20\%$ FSO (235, 335 only)

PRESSURE RANGES:

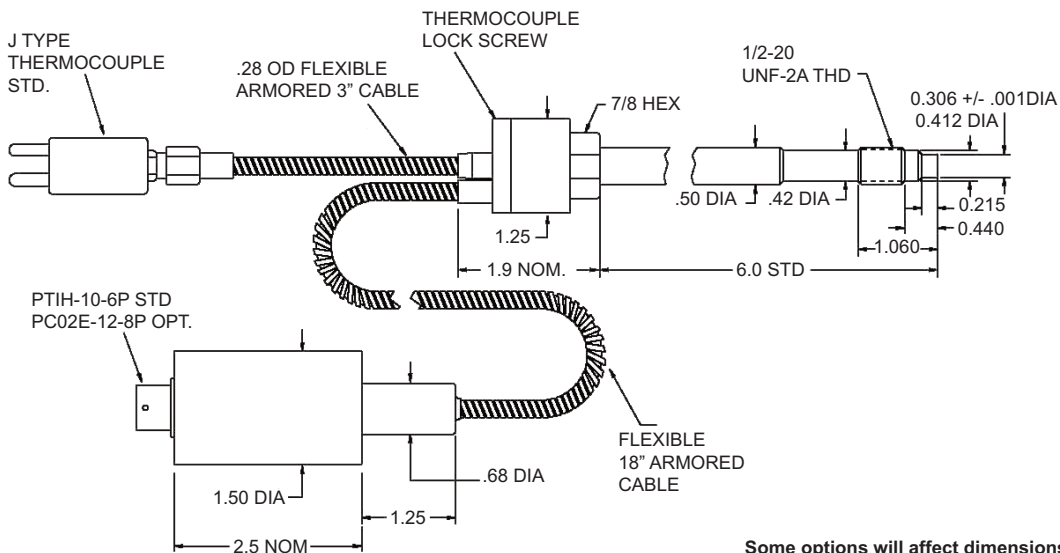
- From 0-500 through 0-30,000 psi (See ordering guide)

ACCURACY:

- (Non-Linearity, Hysteresis, Non-repeatability).
- $\pm 0.25\%$ FSO, RSS (0-5000 psi & higher)
- $\pm 0.5\%$ FSO, RSS (0-500 and 0-3500 psi).



PLASTIC MELT PRESSURE



Some options will affect dimensions. Consult factory if important.

GP:50 reserves the right to make product improvements and amendments to the product specifications stated throughout this brochure without prior notification. Please contact the factory on all critical dimensions and specifications for verification.



Pressure, Level & Temperature Transmitters & Transducers

Specifications reflect standard product, improved performance/mechanical options available. Modifications may alter specs, consult factory for more information.

WIRING CODE

PTIH-10-6P	135	235	335
A/1	+ SIGNAL	+ SIGNAL	+ EXC./SIG-
B/2	- SIGNAL	- SIGNAL*	- EXC./SIGNAL
C/3	+ EXC.	+ EXC.	NC
D/4	- EXC.	- EXC.*	NC
E/5	CALIBRATE	CALIBRATE	CALIBRATE
F/6	CALIBRATE	CALIBRATE	CALIBRATE

PC02E-12-8P	135	235	335
A/1	+ EXC.	+ EXC.	+ EXC./SIGNAL
B/2	+ SIGNAL	+ SIGNAL	NC
C/3	- EXC.	- EXC.*	NC
D/4	- SIGNAL	- SIGNAL*	- EXC./SIGNAL
E/5	CAL. (Common)	CAL. (Common)	CALIBRATE
F/6	CAL. (Int. Res.)	CAL. (Int. Res.)	CALIBRATE
G/7	NC	NC	NC
H/8	CAL. (Ext. Res.)	CAL. (Ext. Res.)	NC

PIGTAIL	335	
RED	+ EXC./SIGNAL	* -Signal and - Excitation are common to each other.
BLACK	- EXC./SIGNAL	
SHIELD	NC	

ORDERING GUIDE:

Use the following codes to identify desired item.

MODEL	RANGE	OPTIONS
•	+	•/•/•

Example: 335-RZ-CC/GU

MODEL	
135	3.33 mV/V
235	5 Vdc
335	4 - 20 mA

PRESSURE RANGE	
(PSI)	(BAR)
RH 500	UV 50
RK 750	UX 75
RM 1000	UY 100
RO 1500	VA 200
RT 3000	VC 350
RV 5000	VD 500
RX 7500	VE 700
RZ 10000	UA 1000
SB 15000	UH 1400
SD 20000	UC 2000
SF 30000	
SZ	Other

OPTIONS

AA None (standard connector PTIH-10-6P)

ALTERNATE CONNECTOR OR CABLE

CC Bendix PC02E-12-8P,
[Mate: PC06A-12-8S-(SR), not included]
CD Cannon WK6-32S,
[Mate: WK6-21C, not included]
CF 1/2" NPT(M) thread with 36" potted leads
CZ Alternate Connector/ Cable/ Other

ALTERNATE PRESSURE PORT

FB M18 X 1.5 Metric Thread
FG M14 X 1.5 Metric Thread
FZ Non-Standard Pressure Port

GENERAL

GB Alternate Electronic Output
Specify Zero and Span output values
GP Hastelloy C-276 Diaphragm & Threads
GQ Boron-Hardened diaphragm
GU Type K Thermocouple
QJ NaK Fill for 750°F max. applications
GW NaK Fill with Inconel diaphragm and stem for 1000°F max. applications
GV Silicone Oil Fill (Increases thermal shift)
Consult factory
GX Mineral Oil Fill (Increases thermal shift)
Consult factory
GZ Customer Special
JL Adjustable Shunt Calibration
JW Titanium Nitride-Coated Diaphragm & Threads
MO Gentran Wiring
MP Barber-Colman Wiring
JA Removable 100 ohm 3 wire RTD

RIGID STEM

GN 12.5" Rigid Stem

FLEX TUBING

GT 30" Armored Capillary Tube

Material in Contact with Pressure Media	15-5 PH Stainless steel and chrome plated diaphragm surface.																																																																										
Proof Pressure	2 times full scale pressure range or 35,000 psig whichever is less																																																																										
Temperature Limits	Diaphragm 750°F (400°C), 1000°F available with NaK fill Strain Gauge Housing 176°F (80°C)																																																																										
Temperature Effects	From Fill Zero 8 psi/100°F per inch of stem and capillary From Strain Gauge Housing Zero Less than ± 1.0% FSO/100°F (± 2.0% FSO/100°C) Span Less than ± 1.0% FSO/100°F (± 2.0% FSO/100°C)																																																																										
Electricals	<table border="0"> <tr> <td>Excitation Voltage</td> <td></td> <td>Output at 70° F</td> <td></td> </tr> <tr> <td>(Model 135)</td> <td>3.5-15 Vdc</td> <td>(Model 135)</td> <td>3.33 mV/V ± 2%</td> </tr> <tr> <td>(Model 235)</td> <td>9-40 Vdc</td> <td>(Model 235)</td> <td>5.0 Vdc ± 2%</td> </tr> <tr> <td>(Model 335)</td> <td>9-36 Vdc</td> <td>(Model 335)</td> <td>4-20 mA ± 2%</td> </tr> </table> <table border="0"> <tr> <td>Zero Balance</td> <td></td> <td></td> <td></td> </tr> <tr> <td>(Model 135)</td> <td>0.0 mV/V ± 5% FSO at 70°F</td> <td></td> <td></td> </tr> <tr> <td>(Model 235)</td> <td>0.0 Vdc ± 2% FSO at 70°F</td> <td></td> <td></td> </tr> <tr> <td>(Model 335)</td> <td>4.0 mA ± 2% FSO at 70°F</td> <td></td> <td></td> </tr> </table> <table border="0"> <tr> <td>Input Impedance</td> <td></td> <td></td> <td></td> </tr> <tr> <td>(Model 135)</td> <td>350 ohm, nominal</td> <td></td> <td></td> </tr> </table> <table border="0"> <tr> <td>Input Current</td> <td></td> <td></td> <td></td> </tr> <tr> <td>(Model 235)</td> <td>8 mA nominal</td> <td></td> <td></td> </tr> </table> <table border="0"> <tr> <td>Load Impedance</td> <td></td> <td></td> <td></td> </tr> <tr> <td>(Model 135)</td> <td>50,000 ohms minimum for less than 0.1% FSO attenuation.</td> <td></td> <td></td> </tr> <tr> <td>(Model 335)</td> <td>1350 ohms max. at 36 Vdc & 750 ohms 24 Vdc</td> <td></td> <td></td> </tr> </table> <table border="0"> <tr> <td>Output Current</td> <td></td> <td></td> <td></td> </tr> <tr> <td>(Model 235)</td> <td>2.0 mA maximum for less than 0.1% FSO attenuation.</td> <td></td> <td></td> </tr> </table> <table border="0"> <tr> <td>Range Ca. Signal</td> <td colspan="3">80% ± 0.5% FSO standard</td> </tr> </table>			Excitation Voltage		Output at 70° F		(Model 135)	3.5-15 Vdc	(Model 135)	3.33 mV/V ± 2%	(Model 235)	9-40 Vdc	(Model 235)	5.0 Vdc ± 2%	(Model 335)	9-36 Vdc	(Model 335)	4-20 mA ± 2%	Zero Balance				(Model 135)	0.0 mV/V ± 5% FSO at 70°F			(Model 235)	0.0 Vdc ± 2% FSO at 70°F			(Model 335)	4.0 mA ± 2% FSO at 70°F			Input Impedance				(Model 135)	350 ohm, nominal			Input Current				(Model 235)	8 mA nominal			Load Impedance				(Model 135)	50,000 ohms minimum for less than 0.1% FSO attenuation.			(Model 335)	1350 ohms max. at 36 Vdc & 750 ohms 24 Vdc			Output Current				(Model 235)	2.0 mA maximum for less than 0.1% FSO attenuation.			Range Ca. Signal	80% ± 0.5% FSO standard		
Excitation Voltage		Output at 70° F																																																																									
(Model 135)	3.5-15 Vdc	(Model 135)	3.33 mV/V ± 2%																																																																								
(Model 235)	9-40 Vdc	(Model 235)	5.0 Vdc ± 2%																																																																								
(Model 335)	9-36 Vdc	(Model 335)	4-20 mA ± 2%																																																																								
Zero Balance																																																																											
(Model 135)	0.0 mV/V ± 5% FSO at 70°F																																																																										
(Model 235)	0.0 Vdc ± 2% FSO at 70°F																																																																										
(Model 335)	4.0 mA ± 2% FSO at 70°F																																																																										
Input Impedance																																																																											
(Model 135)	350 ohm, nominal																																																																										
Input Current																																																																											
(Model 235)	8 mA nominal																																																																										
Load Impedance																																																																											
(Model 135)	50,000 ohms minimum for less than 0.1% FSO attenuation.																																																																										
(Model 335)	1350 ohms max. at 36 Vdc & 750 ohms 24 Vdc																																																																										
Output Current																																																																											
(Model 235)	2.0 mA maximum for less than 0.1% FSO attenuation.																																																																										
Range Ca. Signal	80% ± 0.5% FSO standard																																																																										
Signal Connector	PTIH-10-6P, standard Mate PT06A-10-6S (SR), not included																																																																										
Thermocouple Connector	Standard 2 pole, 7/16" pin spacing																																																																										
Pressure Connection	1/2" - 20UNF - 2A thread for standard extruder pressure port																																																																										
Mounting Torque	500 inch pounds, maximum																																																																										

2770 Long Road, Grand Island, NY 14072 USA

Tel. (716) 773-9300 Fax (716) 773-5019 E-mail:sales@gp50.com website:www.gp50.com