



LOW RANGE, HIGH LINE DIFFERENTIAL PRESSURE TRANSMITTER

Models 216, 316

FEATURES:

- Wet-wet DP measurement
- Full line pressure overload
- Small size
- Type 316 Stainless Steel All-welded construction
- NEMA-4 rated enclosure
- Attractively priced
- Zero and Span adjustment standard

PRESSURE RANGES:

- From 0-5 to 0-2000 in. wcd and 0-1 to 0-200psi
- Bi-Directional Output available upon request (See ordering guide)

LINE PRESSURE:

- 2000 psi standard, others available

ACCURACY:

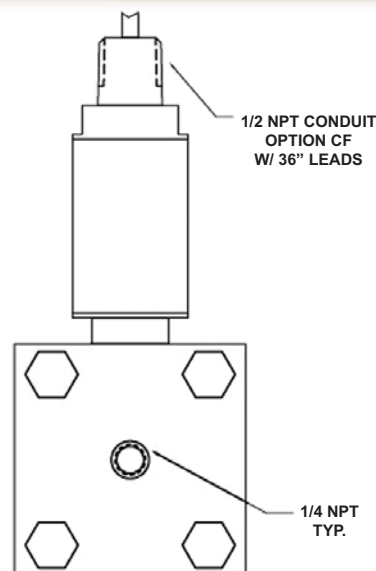
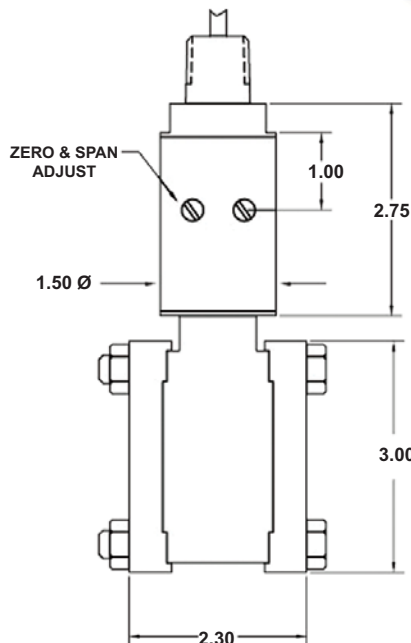
- To $\pm 0.1\%$ FSO (RSS)



INDUSTRIAL GRADE

WIRING CODE

	216	316
A/1 RED	+ EXC.	+ EXC./SIGNAL
B/2 GREEN	+ SIGNAL	NC
C/3 WHITE	NC	NC
D/4 BLACK	- EXC./SIGNAL	- EXC./SIGNAL
E/5 BLUE	NC	NC
F/6 BROWN	NC	NC
SHIELD	OPEN	OPEN



Some options will affect dimensions. Consult factory if important.

GP:50 reserves the right to make product improvements and amendments to the product specifications stated throughout this brochure without prior notification. Please contact the factory on all critical dimensions and specifications for verification.



Pressure, Level & Temperature Transmitters & Transducers

Specifications reflect standard product, improved performance/mechanical options available. Modifications may alter specs, consult factory for more information.

Accuracy (non-linearity, hysteresis, non-repeatability)	Series B:(Std.) ±0.5% FSO (RSS)	Series C: ±0.2% FSO (RSS)	Series D: ±0.1% FSO (RSS)
Base (Line) Pressure	2000 psi, maximum 3000 psi, maximum, options FP & LA 500 psi, maximum, option LB		
Pressure Cavity Material	316 Stainless Steel and Viton O-Ring		
Static Line Shift	Less than ±1% FSO/1000 psi for ranges 0-21" wc and higher Less than ±2% FSO/1000 psi for ranges 0-20" wc and lower		
Orientation Shift Zero	±1 inwc		
Resolution	Infinite (0.02% FSO practical minimum)		
Temperature Limits	Compensated +70°F to +180°F Operating 0°F to +180°F Storage -20°F to +200°F		
Temperature Compensation Zero Span	Less than ±2.0% FSO/100°F Less than ±2.0% FSO/100°F		
Electricals	(Model 216) Supply Voltage 10.2-42 Vdc Output at 70°F 0±5 Vdc FSO Output Loading 3000 ohms, minimum Load Impedance, Zero Balance Adjustable to ±20% FSO Span Adjustable to ±20% FSO	(Model 316) Supply Voltage 13-37 Vdc Output at 70°F 4-20 mA FSO Output Loading 1200 ohms maximum at 37 Vdc Load Impedance, Zero Balance Span	
Mechanicals	Response Time <100 milliseconds for 90% FSO/70°F Frequency Response Flat to 10HZ Stability Less than ±0.25% FSO/6 months		
Proof Pressure at 70°F	1000 psi single ended is standard 1000 psi single ended for options FP & LA 500 psi single ended for option LB		
Burst Pressure at 70°F	4000 psi is standard 5000 psi for options FP & LA 750 psi for option LB		
Weight	5.4 lbs., normal (std.) 6.5 lbs., options FP & LA 2.0 lbs., option LB		
Connections	Pressure 1/4" NPT (F) Electrical Cable (24 AWG) 36" long		
Enclosure Materials	316 Stainless Steel		

ORDERING GUIDE:

MODEL	ACCURACY	RANGE	OPTIONS
●	+	●	+/●/●

Example: 316-C-WX-CA/GH

MODEL

216	0-5 Vdc
316	4-20 mA
216X	0-5 Vdc Explosion Proof
316X	4-20 mA Explosion Proof

ACCURACY

B	0.5% FSO
C	0.2% FSO
D	0.1% FSO

PRESSURE RANGE

	IN. WCD				
WT	5	XD	30	XO	200 XY 1500
WV	7.5	XF	50	XQ	300 YA 2000
WX	10	XH	75	XS	500 SZ Non-Stan.
WZ	15	XK	100	XU	750
XB	20	XM	150	XW	1000

	PSID				
PC	1	PP	15	PX	75
PE	2	SZ	Non-Stan.	PZ	100
PG	3	PR	20	RB	150
PJ	5	PO	25	RD	200
PL	7.5	PT	30		
PN	10	PV	50		

OPTIONS

AA None (standard connector with 36" pigtail)

ALTERNATE CONNECTOR OR CABLE

Note:	Explos.-Proof rated models are only provided with 1/2"NPT(M) conduit thread, (Option CF)
CA	Bendix PTIH-10-6P (Mate:PTO6E-10-6S [SR], not supplied)
CB	Bendix MS3102E-14S-6P(Mate: MS3106E-14S-6S, not supplied)
CE	Terminal Block
CF	1/2" NPT(M) with 36" leads
CH	NEMA-4X cable, 8' vented polyurethane cable
CJ	DIN 43650 (includes mate) (Hirschmann type)
CL	1/2" NPT (M) conduit, 2' vented polyurethane jacket cable
CO	Junction Box (thermocouple type) with terminal block
CT	Teflon jacketed cable, Tefzel used on submersible units,(options CH, CL, DE)
CZ	Alternate connector/cable/other

ALTERNATE PRESSURE PORT

FA	MS33649-4 (1/4' AND-10050) [F]
FC	3/8" NPT (F)
FH	1/8" NPT (F)
LA	3000 psi flanges, (std. pressure port)
LB	All-welded Pressure Port Caps. These units have no O-ring and are limited to 500 psi line pressure
FP	3-valve Manifold Flanges
FZ	Non-Standard Pressure Port

GENERAL

DE	IP-67 (NEMA-6) vented polyurethane jacket cable, neoprene grommet
GB	Alternate Electronic Output (specify Zero and Span output values)
GE	Improved Temp. Compensation to ±0.5% FSO/100°F for Zero & Span respectively (0-180°F)
GH	Internal Calibration Resistor set to 100 ±0.5% FSO
GL	Cleaned for Oxygen Service
MH	3:1 Max Ranging, (Model 316 only)
MS	Bi-Directional Differential Pressure, (For model 316 zero is set to 12mA)
GS	0-10 Vdc FSO, (Model 216 Requires 16-42 Vdc excitation)
HL	RFI Protection
HZ	Teflon O-ring
LN	1/8" NPT(F) flush port to each flange. Plug included
LO	Air bleed screw, each flange with 10-32 brass tip set screws
CW	Submersible Housing, 8' polyurethane jacket cable, neoprene grommet, and conduit fitting
CZ	Customer Special

2770 Long Road, Grand Island, NY 14072 USA

Tel. (716) 773-9300 Fax (716) 773-5019 E-mail:sales@gp50.com website:www.gp50.com