



## PRESSURE INDICATOR

### Model 1270

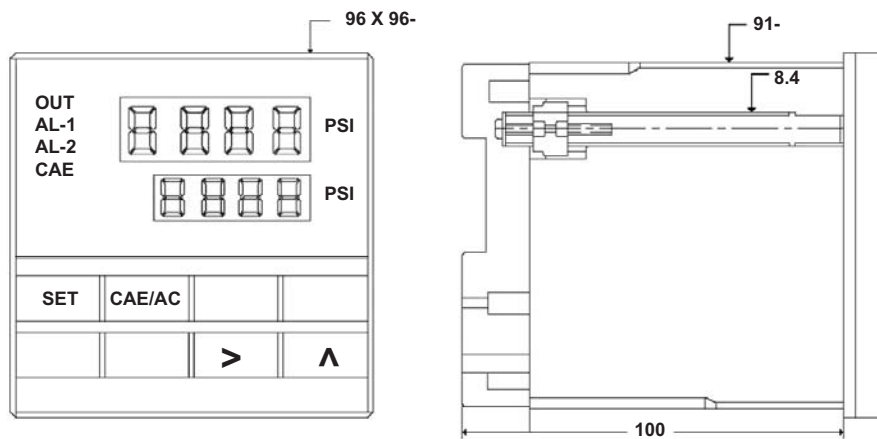
The 1270 1/4 DIN indicator is designed with an easy to use programmable faceplate and two alarms.

#### SPECIFICATIONS:

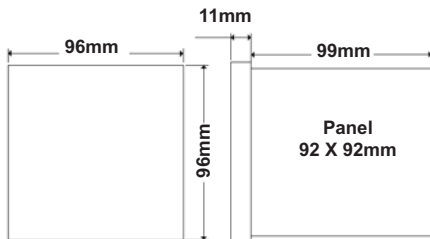
- Two layer 4-digit LED display
- Ranges 0.100-9999 psi (Radix point changeable)
- 0.001 display resolving quotiety
- 85-265 VAC excitation
- 92 x 92 mm
- Operating range 0-55°C



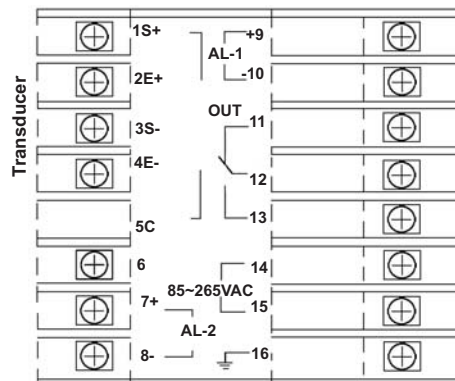
Pressure upstream and downstream programmable alarms, and RS232, RS485 serial communication. Pressure programmable analog output: 4-20 mA, 1-5 Vdc, 0-5 Vdc, 0-10 Vdc.



#### WIRING CODE



- |       |                           |
|-------|---------------------------|
| 1     | SIGNAL +                  |
| 2     | EXCITATION -              |
| 3     | SIGNAL                    |
| 4     | EXCITATION                |
| 5     | CALIBRATION               |
| 6     | BLANK                     |
| 7     | AL-2+, RS-485 output A    |
| 8     | AL-2-, RS-485 output B    |
| 9     | AL-1 +                    |
| 10    | AL-1 -                    |
| 11/12 | OUT on                    |
| 12/13 | OUT off                   |
| 14/15 | Alternating current input |
| 16    | GROUND                    |



PLASTIC MELT PRESSURE



### OPERATING FLOW CHART

