



SUBMERSIBLE / LEVEL PRESSURE TRANSDUCER / TRANSMITTER

Models 1102, 1103

TARGET APPLICATIONS:

- Industrial OEM
- Level & Depth
- Water & Waste Water Treatment
- Irrigation
- Groundwater Testing
- Food & Beverage

FEATURES:

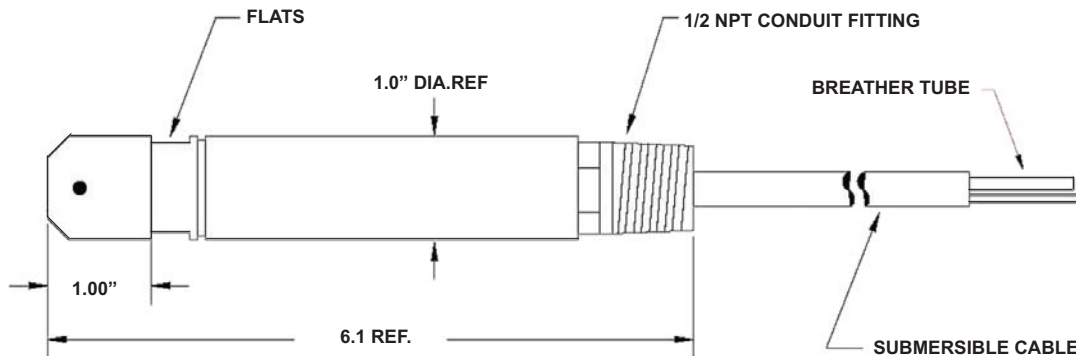
- Low Cost, High Accuracy, High Reliability
- 0.5% FSO standard accuracy, 0.25% typical
- Small Size - 1" diameter, Lightweight
- Rugged, all welded construction
- 1/2" NPT Conduit Thread Standard
- IP68 Rated
- Operating Temperature -40°F to +180°F

PRESSURE RANGES:

- From 0-15 To 0-500 psig (See ordering guide)



INDUSTRIAL GRADE



Some options will affect dimensions. Consult factory if important.

WIRING CODE

	1102	1103
RED	+ EXC.	+ EXC./SIGNAL
BLACK	- EXC.	- EXC./SIGNAL
GREEN	+ SIGNAL	NC
SHIELD	OPEN	OPEN

To avoid ground loops, earth ground the shield wire or the transducer/transmitter case, but not both.

GP:50 reserves the right to make product improvements and amendments to the product specifications stated throughout this brochure without prior notification. Please contact the factory on all critical dimensions and specifications for verification.



Pressure, Level & Temperature Transmitters & Transducers

Specifications reflect standard product, improved performance/mechanical options available. Modifications may alter specs, consult factory for more information.

Accuracy	(Non-linearity, hysteresis, non-repeatability) 0.5% (BFSL)	
Pressure Cavity Material	316 stainless steel and inconel	
Resolution	Infinite (Practical = 0.06% FSO)	
Temperature Limits		
Compensated	0°F to 180°F	
Operating	-40°F to 180°F	
Storage	-40°F to 250°F	
Temperature Compensation		
Zero	±2.0% FSO/100°F	
Span	±2.0% FSO/100°F	
Mechanicals		
Response Time	5 ms	
Proof Pressure	1.5 X Full Scale Output	
Burst Pressure	3 X Full Scale Output	
Weight		
Standard Connections		
Pressure	PVC bullet nose	
Electrical Cable	8' Molded polyurethane jacket, 6 conductor with breather tube	
Electrical	(Model 1102)	(Model 1103)
Excitation	9.0 - 36 Vdc	9.0 - 36 Vdc
Output at 70°F	0-5 Vdc ±2% FSO	4-20 mA ±2% FSO
Zero Balance	± 2.0% FSO	
Span Tolerance	± 2.0% FSO	
Insulation	10 M Ohms at 50 Vdc Pin to Case	

Some options will affect dimensions. Consult factory if important.

ORDERING GUIDE:

Use the following codes to identify desired item.

MODEL	SERIES	RANGE	OPTIONS
● —	● —	● —	● / ● / ●

Example: 1103-RD-2-CZ/FJ

MODELS

1102	0-5 Vdc
1103	4-20 mA

PRESSURE RANGE (PSI)

PP	0-15
PT	0-30
PV	0-50
PX	0-75
PZ	0-100
RB	0-150
RD	0-200
RE	0-250
RF	0-300
RH	0-500

PRESSURE TYPE

2	Gauge
6	Sealed Gauge

OPTIONS

ALTERNATE CONNECTOR OR CABLE

AA	None
CZ	Alternate Cable or Length

ALTERNATE PRESSURE PORT

FJ	1/4 NPT Male
FL	1/8 NPT Male

GENERAL

GA	Standardized FSO
GB	Alternate Electronic Output
JH	Remote Zero & Span Controls
GZ	Customer Special

2770 Long Road, Grand Island, NY 14072 USA

Tel. (716) 773-9300 Fax (716) 773-5019 E-mail:sales@gp50.com website:www.gp50.com