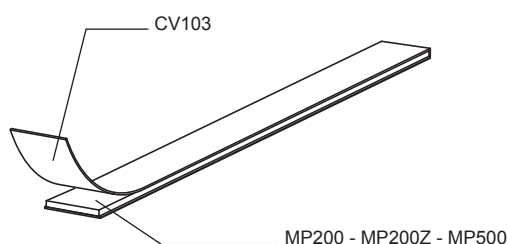


ACCESSORIES – Cover and support

CV103

Stainless steel cover for protection

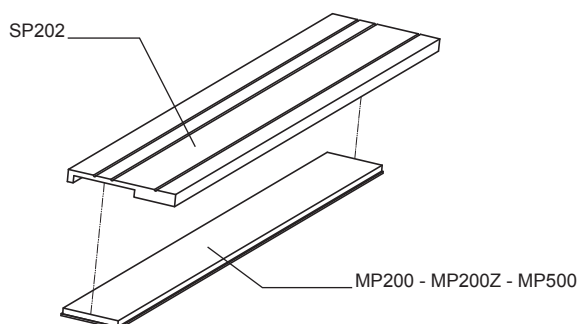
Non-magnetic stainless steel cover on which a bi-adhesive tape is pre-mounted for a quick sticking and an easy fixing to the magnetic band.



Width 10 mm – Thickness 0.3 mm.
To be applied on magnetic tapes
MP200 – MP200Z – MP500.

SP202

Aluminium support



To be fixed on the machine to support the magnetic band.

ATTENTION! It is not possible to use the support SP202 if the magnetic bands are already covered by CV103.



One of the production phases of the magnetic band, whose manufacturing know-how has been directly developed by GIVI MISURE.