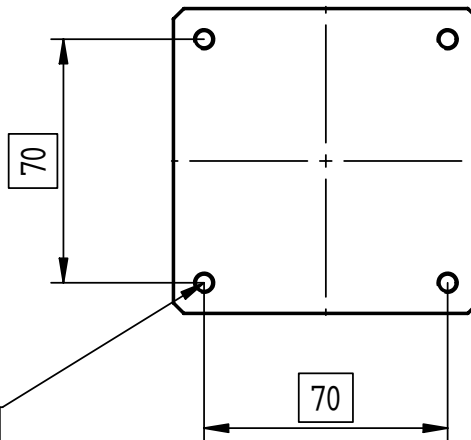
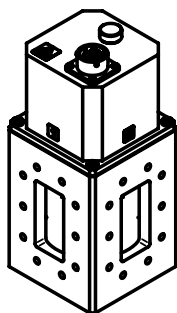


1                      2                      3                      4                      5

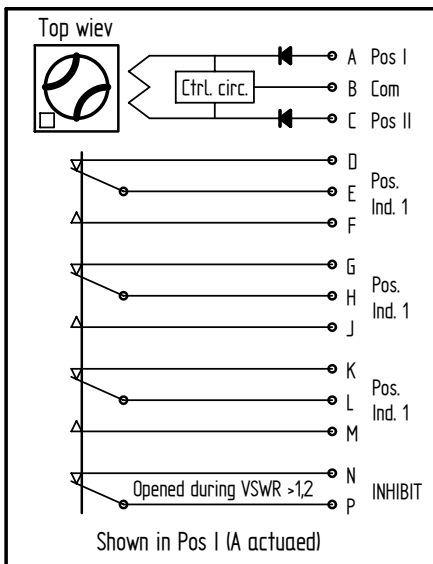
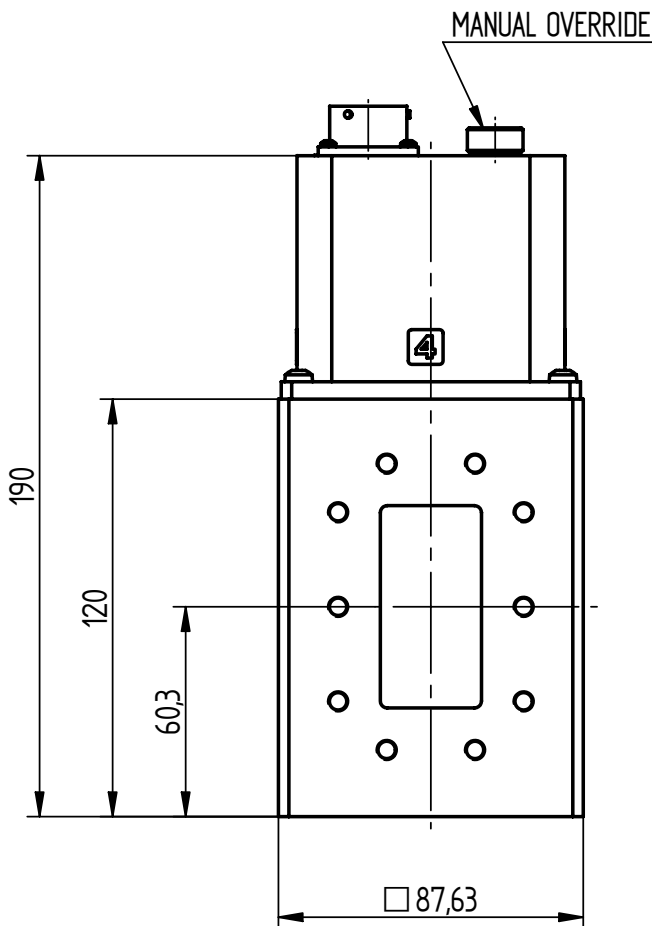
CAD-dokument  
Får ej revideras manuellt

Issue	Modification	Date	Sign.	Chkd.
B	Paragraphs added	2003-1014	HNg	HW



**CAUTION!**  
ESD SENSITIVE

MANUAL OVERRIDE



This document is our property and shall not without our written permission be altered, copied or communicated to a third party.

© SIVERS LAB/AB

Drawing principle	SS 1902	UNLESS OTHERWISE STATED THE FOLLOWING APPLIES: General tolerances, linear and angular dimensions: ISO 2768-c ⚠ ⚙ Europ. proj.	Ref.	020410	Sign.	CEL
Tolerancing principle	ISO 8015		Chkd.		Sign.	
Dimensions in mm			Appvd.		Sign.	
<b>SIVERS</b>	Title <b>WAVEGUIDE SWITCH</b> WR229 / A-band Latching		Designed		Sheet	2(2)
			Scale	1:2	Issue	B
			Doc. no.	WS8286A/01		

A

B

C

D

E

F

---

Reference	Approved	Origin date	Issue date	Issue	Page	Document
HNg	HW	2002-04-10	2003-11-05	B	2 (2)	<b>WS 8286A/01</b>

---

**RF DATA**

Frequency range	3.3 – 4.9 GHz
VSWR	1.05
Insertion loss	0.1 dB
Isolation	80 dB
Peak power	500 kW at 0.1 MPa abs., +25°C
Average power	4 kW
Flange interface	MIL-DTL-3922/52C-012 Modified with M6, thread depth min 8

**ACTUATOR DATA**

Operating voltage	28±3 VDC
Operating current	1 A
Switching time	200 ms
Duty (min time between successive operations)	500 ms -20°C to +40°C linearly increasing to 1 s at +85°C
Connector	MS 3112E 14-19P
Mating connector	MS 3116F 14-19S or eq.

**POSITION INDICATOR**

Position indicator current	30 V Max, 100 mA Max Resistive load
Position indicator	Three sets of C-form contacts and one set of inhibit contact, opened during VSWR >1.2

**MECHANICAL DATA**

Material	Aluminium alloy, Cu free
Finishing	Chromate per MIL-C-5541 and black painted
Air pressure	0.1 MPa overpr. Max
Air leakage	10 cm <sup>3</sup> /min (0.1 MPa overpr.) Max
Weight	2 kg Max
Life	250 000 actuations

**ENVIRONMENTAL DATA**

Ambient temperature	-20°C to +85°C
Vibration	5 – 18 Hz, 3 mm amplitude 18 – 2000 Hz, 15 g