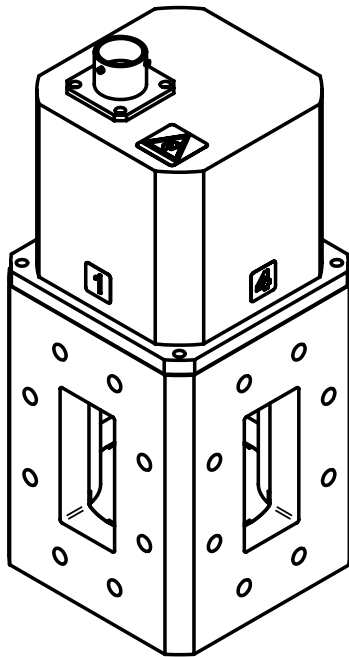
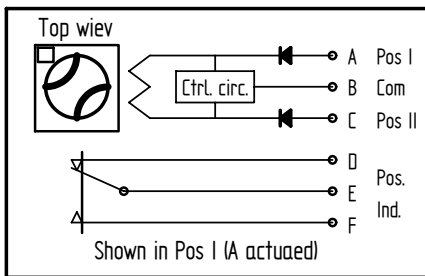
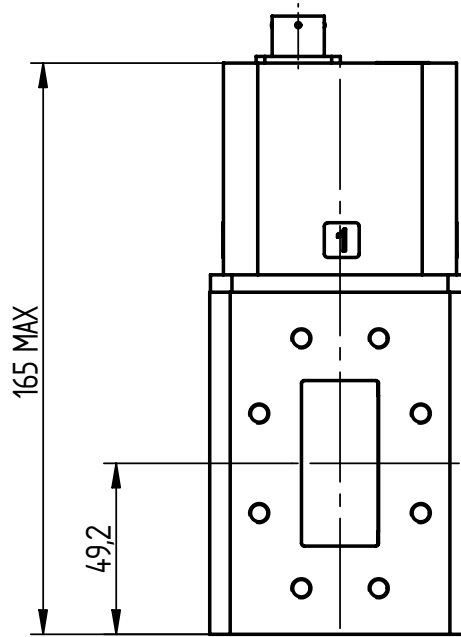
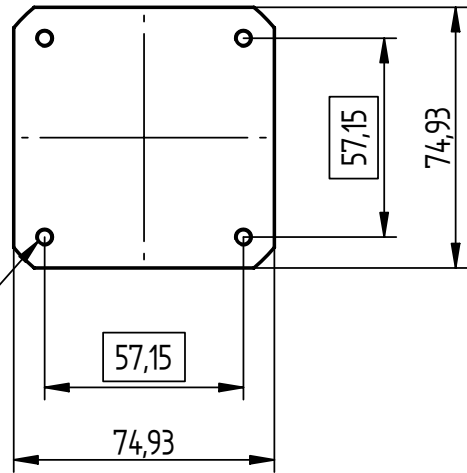


CAD-dokument  
 För ej revideras manuellt

	1	2	3	4	5		
Issue	Modification				Date	Sign.	Chkd.
B	ECO				2003-1014	HNg	HW


 4x M5  
 Depth min 8  
 $\text{⌀} \text{ } \text{⌀} 0,2$ 


**CAUTION!**  
**ESD SENSITIVE**

Drawing principle	SS 1902	UNLESS OTHERWISE STATED THE FOLLOWING APPLIES: General tolerances, linear and angular dimensions: ISO 2768-c Europ. proj.	Ref.	030630	Sign.	SKm
Tolerancing principle	ISO 8015		Chkd.		Sign.	HW
Dimensions in mm			Appvd.		Sign.	HW
	Title		Designed	Sheet 1(1)		
	WAVEGUIDE SWITCH WR187/R48/WG12 Latching		Scale	1:1,5	Issue	B
			Doc. no.	WS8286G/00		

---

Reference	Approved	Origin date	Issue date	Issue	Page	Document
HNg	HW	2003-06-30	2003-11-04	B	2 (2)	<b>WS 8286G/00</b>

---

**RF DATA**

Frequency range	3.95 – 5.85 GHz
VSWR	1.05
Insertion loss	0.1 dB
Isolation	80 dB
Peak power	500 kW at 0.1 MPa abs., +25°C
Average power	4 kW
Flange interface	MIL-DTL-3922/52C-014 Modified with M6, thread depth min 8

**ACTUATOR DATA**

Operating voltage	28±3 V DC
Operating current	1 A, Self cut off
Switching time	500 ms
Duty (min time between successive operations)	500 ms -20°C to +40°C linearly increasing to 2 s at +70°C
Connector	MS 3112E 10-6P
Mating connector	MS 3116F 10-6S or eq.

**POSITION INDICATOR**

Voltage / Current	30 V Max, 100 mA Max Resistive load
-------------------	-------------------------------------

**MECHANICAL DATA**

Material	Aluminium alloy, Cu free
Finishing	Chromate per MIL-C-5541 and black painted
Air pressure	0.1 MPa overpr. Max
Air leakage	10 cm <sup>3</sup> /min (0.1 MPa overpr.) Max
Weight	1.5 kg Max
Life	250 000 actuations

**ENVIRONMENTAL DATA**

Ambient temperature	-20°C to +70°C
Vibration	5 – 18 Hz, 3 mm amplitude 18 – 2000 Hz, 15 g
Humidity	100%RH if dry air in waveguide