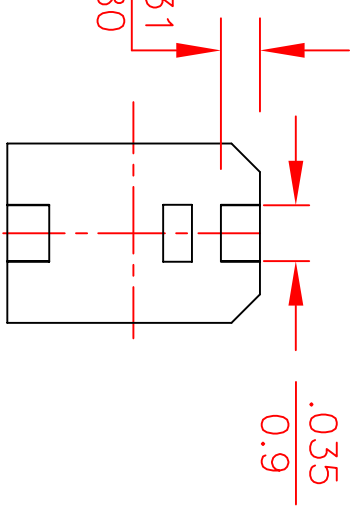
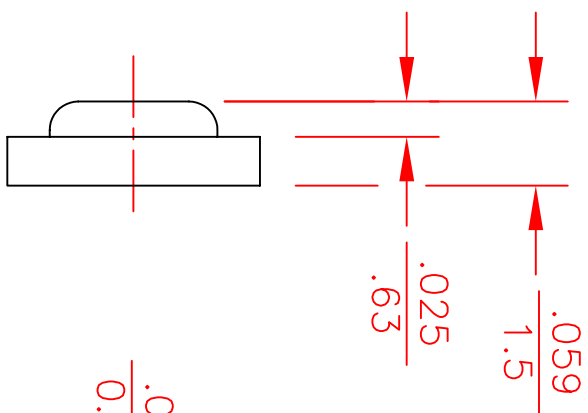
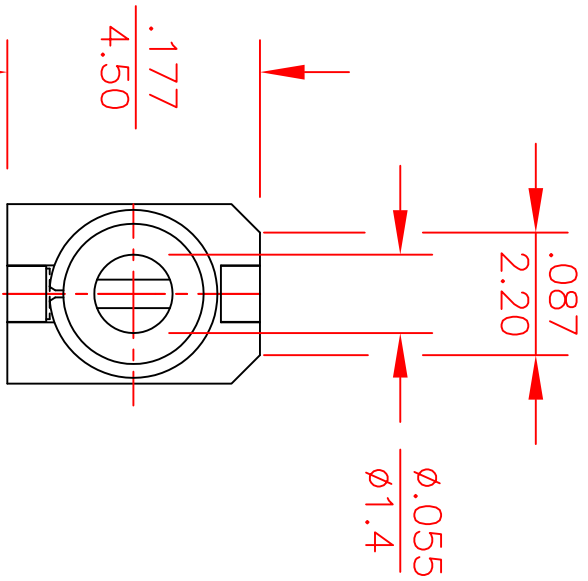


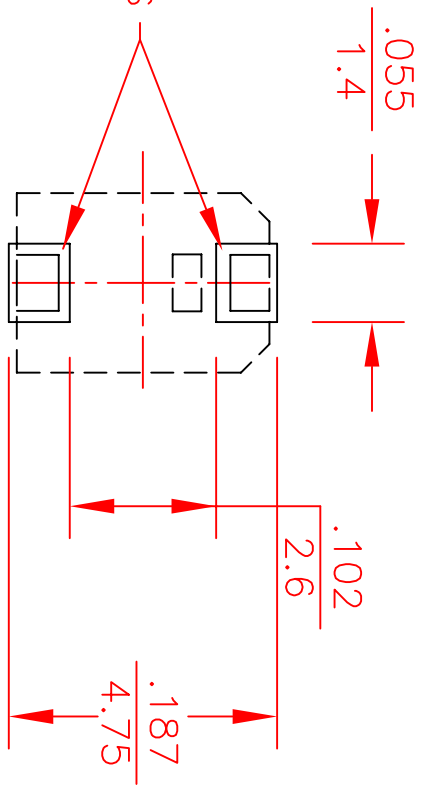
REV.	DESCRIPTION	DATE	APP.
00	NEW DWG.	9/29/06	S.G.

TEC Test Electronics
The authorized distributor in the Greater China Region



NOTES:
1. ALL DIMENSIONS IN inches
mm

SOLDERING PADS



SUGGESTED SURFACE MOUNT LAYOUT

RECOMMENDED THICKNESS OF SOLDER .0006
0.15

PART NUMBER	SGC3S030	SGC3S060	SGC3S100	SGC3S200	SGC3S300
COLOR CODE	BLACK	BLUE	IVORY	PINK	GREEN
Capacitance (pF min.) less than	1.2	2.2	3.0	5.5	8.0
Capacitance (pF max.) more than	3.0	6.0	10.0	20.0	30.0
Temperature coefficient (ppm/°C)	N470±60	N470±60	N1000±250	N1000±250	N1200±200
Q (at 1MHz and Cmax) over	300	500	500	500	500
Insulation resistance	10 ⁴ megohms				
Torque	0.14 to 1.0 oz-in / 10 to 72 gf-cm				
DC Working voltage	100 VDC	100 VDC	50 VDC	50 VDC	50 VDC
DC Withstanding voltage	220 VDC	220 VDC	110 VDC	110 VDC	110 VDC
Operating temperature °C	-40 to +85				
Self resonant frequency @ Cmax	2.0 GHz	1.5 GHz	1.3 GHz	0.8GHz	0.6 GHz

TOLERANCES:	SPRAGUE	GOODMAN	ELECTRONICS INC.
(EXCEPT AS NOTED)	1700 SHAMES DRIVE	WESTBURY, NY	11590
DECIMAL:	xxx ±.016 in		
FRACTIONAL:	±.41 mm		
ANGULAR:	1/64		
DATE:	9/29/06	DRAWING NUMBER	SGC3
TITLE:	OUTLINE DWG SGC3 PRODUCT LINE		
SCALE:	8:1		
DRAWN BY:	D.DITLYA		
APPROVED:	S.GRINBERG		
Rev.	00		