

Frequency Doublers & Quadruplers

Passive and Active, 0.2-6000 MHz

TEC *Tect Electronics*
The authorized distributor in the Greater China Region

Passive Doublers

FREQUENCY RANGE		INPUT POWER NOMINAL (DBM)	CONVERSION LOSS @ F2 (DB) MAX.	CONVERSION LOSS @ F4 (DB) TYP.	SPURIOUS ¹		P/N
INPUT (MHZ)	OUTPUT (MHZ)				F1 (DBc)	F3 (DBc)	
0.2-500	0.4-1000	+10	11.0	20.0	20	25	FX-01-*
1-500	2-1000	+10	12.0	20.0	20	25	FX-02-*
50-1000	100-2000	+10	12.0	20.0	20	22	FX-03-*
75-1500	150-3000	+10	12.0	20.0	20	20	FX-04-*
50-2100	100-4200	+10	13.0	20.0	16	25	FX-05-*
300-3000	600-6000	+10	13.0	20.0	16	25	FX-06-*
1400-1600	5600-6400	+10	-	26.0	-	-	FX-08-*
3000-6000	6000-12000	+10	13.0	20.0	20	25	FX-07-**

Custom frequency bands and optimized specifications available.

Notes:

* Available in Outline # 301, 410 & A

** Available in Outline S & SC

¹ With respect to F2.

SMA female connectors standard on outline # 410, also available with BNC, TNC, F, and N connectors.

Active Doublers

FREQUENCY RANGE		INPUT POWER NOMINAL (DBM)	OUTPUT POWER (DBM)	CONTROL VOLTAGE I = 70mA TYP.	SPURIOUS ¹		P/N
INPUT (MHZ)	OUTPUT (MHZ)				F1 (DBc)	F3 (DBc)	
100-2500	200-5000	+10	+10 ± 2	+12 Vdc	18	25	FXG-01-410F
100-2500	200-5000	0	0 ± 2	+12 Vdc	18	25	FXG-02-410F

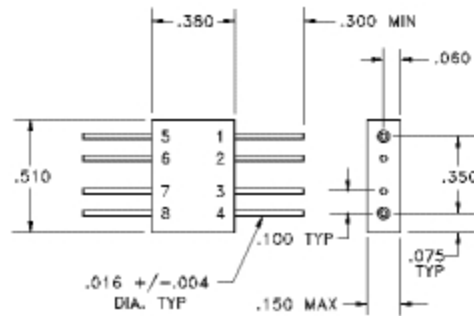
Custom frequency bands and optimized specifications available.

Notes:

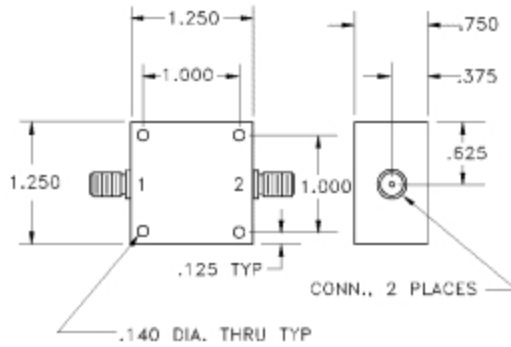
¹ With respect to F2.

SMA female connectors standard on outline # 410F.

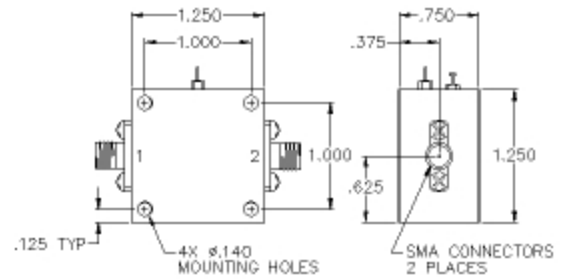
PORT CONFIGURATION				
OUTLINE	INPUT	OUTPUT	GROUND	DC PINS
301	1	8	2-7	--
410	1	2	Housing	--
410F	1	2	Housing	12 Vdc @ 70mA
A	1	3	4 Corners	--
S	1	2	--	--
SC	1	2	--	--



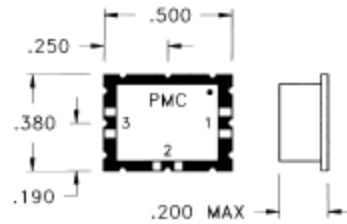
Outline 301



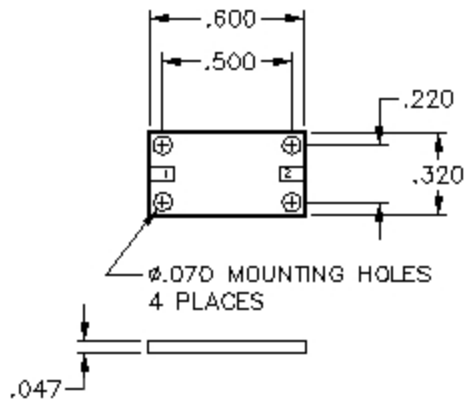
Outline 410



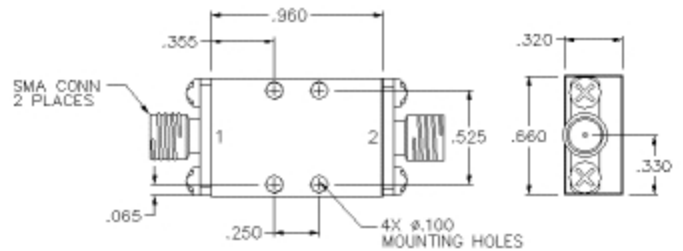
Outline 410F



Outline A



**Outline S
(Doubler Only)**



**Outline SC
(Doubler Only)**



60/40 Solder Available
Specify Your Requirements
ISO 9001:2000 Certified

TE *Tect Electronics*
The authorized distributor in the Greater China Region