

Bias Tees

0.01 to 40 GHz



Pulsar offers a large variety of bias tees that cover frequencies from 30 KHz to 40 GHz in both surface mount and connectorized packages. Many models are available with voltages up to 50 volts and currents up to 5 amps and custom requirements are welcomed. Options include higher voltage and current, higher RF input power and a choice of either an RF connector or a feedthrough connection for the DC input port.

FREQUENCY RANGE (MHZ)	ISOLATION (DB) MIN.	INSERTION LOSS (DB) MAX.	CURRENT (MA) MAX. ¹	VSWR MAX.	P/N
50-800	25	0.6	6000	1.20:1	BT-10-E
425-800	25	0.6	8000	1.50:1	BT-11-411
10-1000	25	0.5	1000	1.20:1	BT-20-**
10-1000	25	1.0	200	1.20:1	BT-01-*
800-1000	25	0.5	1000	1.20:1	BT-08-*
800-1000	30	0.5	5000	1.50:1	BT-21-**
1700-2000	30	0.5	5000	1.50:1	BT-22-**
1700-2000	25	0.7	1000	1.20:1	BT-09-*
500-2500	25	1.0	200	1.20:1	BT-02-*
10-3000	25	1.8	3000	1.50:1	BT-06-411
500-3000	25	1.0	500	1.20:1	BT-05-*
500-3000	30	1.8	2000	1.50:1	BT-23-**
10-4200	25	1.2	200	1.20:1	BT-03-*
1000-5000	35	1.0	1000	1.50:1	BT-04-**
100-6000	30	1.5	500	1.50:1	BT-07-**
500-10000	30	1.0	200	1.50:1	BT-26-400S/400D***
5000-12000	30	0.8	250	1.50:1	BT-30-400S/400D***
10000-12000	35	1.0	200	1.50:1	BT-27-414
8000-15000	35	1.0	200	1.50:1	BT-28-400S/400D***
300-18000	25	1.5	500	1.60:1	BT-29-400S/400D***
0.03-40000	40	3.0	500	1.80:1	BT-50-400S/400D****

Custom frequency bands and optimized specifications available.

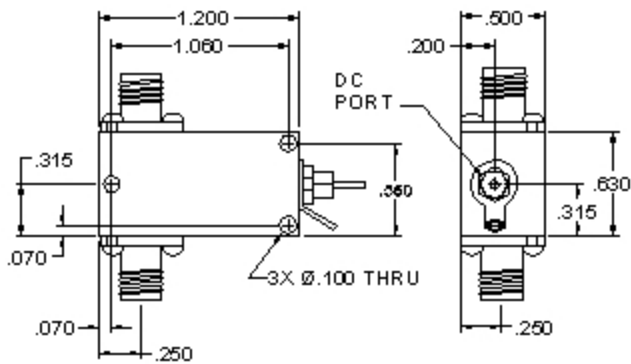
Notes:

- * Available in outline A, E, 410F, 411 & 414 - SMA connectors standard, others available.
- ** Available in outline E, 410F, 411 & 414 - SMA connectors standard, others available.
- *** Select bias configuration: S for SMA, D for feedthru.
- **** 2.92 mm connectors are used on models BT-50-400S and BT-50-400D
- ¹ Higher current and isolation requirements available.

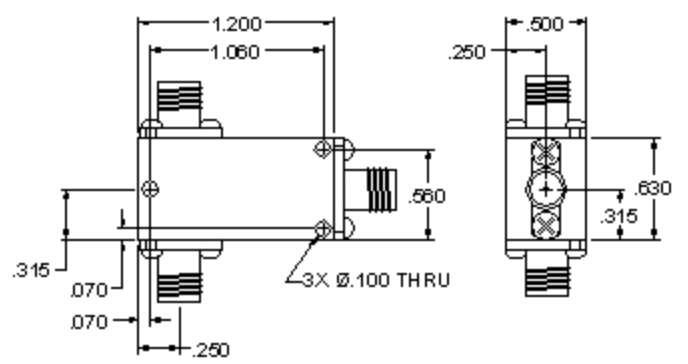
Voltage for standard models is 50 volts.

PIN-OUT TABLE

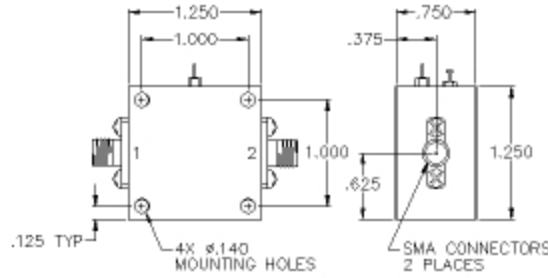
OUTLINE	RF IN (DC BLOCKED)	RF/DC OUTPUT	DC IN (BIAS)	GROUND
410F	1	2	Feed Thru Pins	Housing
411	1	3	2	Housing
414	1	3	2	Housing
A	1	3	2	-
E	5	1	4	-



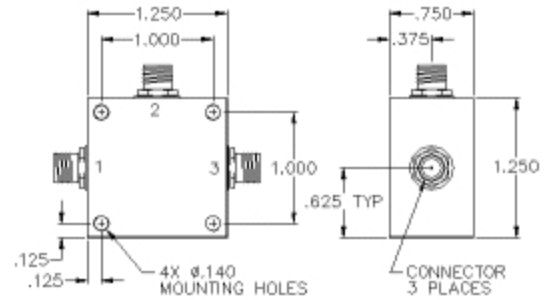
Outline 400D



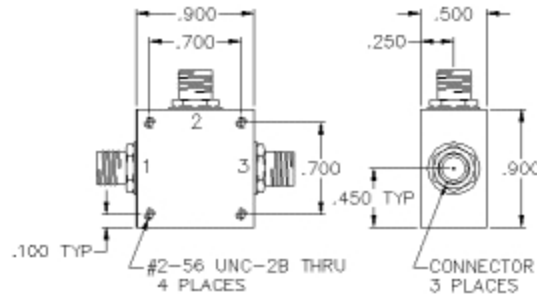
Outline 400S



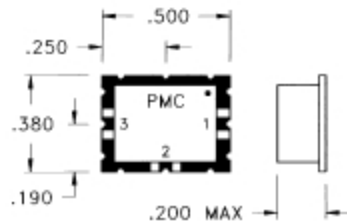
Outline 410F



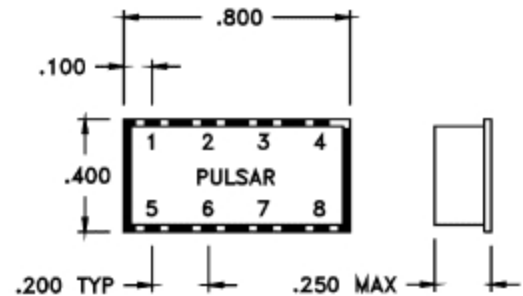
Outline 411



Outline 414



Outline A



Outline E



60/40 Solder Available
Specify Your Requirements
ISO 9001:2000 Certified