



HIGH PRESSURE TRANSMITTER

Models 112, 212, 312

FEATURES:

- Rugged, all-welded, encapsulated electronics
- Leakproof, integral pressure cavity and sensor
- Many standard easy-to-order options

PRESSURE RANGES:

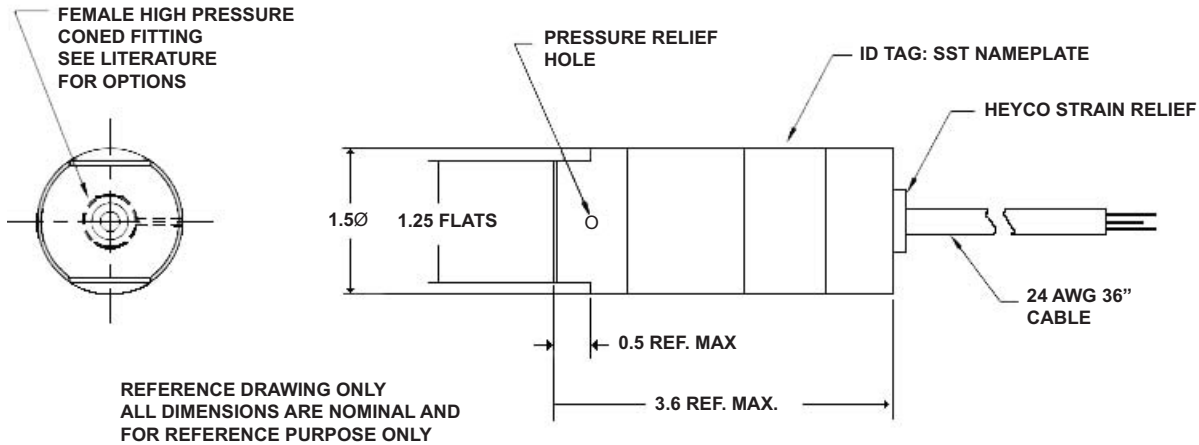
- From 0-20,000 psi to 0-150,000 psi
- From 0-1500 bar to 0-10,000 bar
(see ordering guide)

ACCURACY:

- Accuracies to 0.2% FSO (RSS) (non-linearity, hysteresis, non-repeatability)



INDUSTRIAL GRADE



Some options will affect dimensions. Consult factory if important.

WIRING CODE

	112	212	312
A/1 RED	+ EXC.	+ EXC.	+ EXC./SIGNAL
B/2 GREEN	+ SIGNAL	+ SIGNAL	NC
C/3 WHITE	- SIGNAL	NC	NC
D/4 BLACK	- EXC.	- EXC./SIGNAL	- EXC./SIGNAL
E/5 BLUE	NC OPTION GH	NC OPTION GH	NC OPTION GH
F/6 BROWN	NC OPTION GH	NC OPTION GH	NC OPTION GH
SHIELD	OPEN	OPEN	OPEN

GP:50 reserves the right to make product improvements and amendments to the product specifications stated throughout this brochure without prior notification. Please contact the factory on all critical dimensions and specifications for verification.

A5SL-12.00 Rev A



Pressure, Level & Temperature Transmitters & Transducers

Specifications reflect standard product, improved performance/mechanical options available. Modifications may alter specs, consult factory for more information.

Accuracy	(non-linearity, hysteresis, non-repeatability) Series B (Std.) ±0.5% FSO RSS Series C ±0.2% FSO RSS		
Wetted Parts:	0-20,000 to 60,000 psi 0-61,000 to 0-150,000 psi	15-5PH stainless steel Vascomax 300	
Resolution	Infinite (.02% practical minimum)		
Temperature Limits	Compensated 0°F to +180°F Operating -20°F to +190°F Storage -65°F to +250°F		
Temperature Compensation*	Zero Within ±2% FSO/100°F Span Within ±2% FSO/100°F		
Electricals	(Model 112) Excitation 3.5-15 Vdc Output at 70°F 3.0 mV/V ±2% FSO Input Current Load Impedance 50,000 ohms minimum, for less than 0.1% FSO attenuation Output Current Range Calibration Signal Resistance value provided on calibration card for 100% FSO Insulation Resistance Greater than 10 megohms at 50 Vdc and 70°F	(Model 212) 9-40 Vdc 5.0 Vdc ±2% FSO 8 mA, nominal 2.0 mA maximum for less than 0.1% FSO attenuation	(Model 312) 9-40 Vdc 4-20 mA ±2% FSO 1350 ohms maximum at 36 Vdc and 750 ohms at 24 Vdc
Mechanicals	Proof Pressure 1.2 times full scale pressure or 160,000 psi, whichever is less Burst Pressure 2 times full scale pressure or 180,000 psi, whichever is less Case material Types 15-5 PH and 316 stainless steel Weight 12 oz., nominal		
Connections*	Pressure Ranges 20,000 to 60,000 psi 75,000 to 150,000 psi	Autoclave type F-250-C Autoclave type F-312-C150	
Electrical	Cable (24 AWG) 36" long		

* See modifications on ordering guide.

ORDERING GUIDE: Example: 212-B-SH-CA/GJ

MODEL	SERIES	RANGE	PORT	OPTIONS
●	+	●	+	●/●/●

MODEL

112	3 mV/V
212	0-5 Vdc
312	4-20 mA
312Z	4-20 mA (Intrinsically Safe)

SERIES (Accuracy)

B	0.5% FSO
C	0.2% FSO

PRESSURE RANGE

PSI	BAR
SD 20,000	UB 1500
SF 30,000	UC 2000
SH 50,000	UD 3000
SK 75,000	UE 5000
SM 100,000	UF 7500
SO 150,000	UG 10,000
SZ	Non-standard

PRESSURE PORT

FM	F-250-C std. on pressure range 20k-60k psi auto clave engineering type
IC	F-375-C, 3/4-16 (F) thread autoclave engineering type
ID	F-312-C150, 5/8-18 (F) thread autoclave engineering type std. on ranges above 75k
FZ	Non-standard port

OPTIONS

AA	None (standard connector)
ALTERNATE CONNECTOR OR CABLE	
CA	Bendix PTIH-10-6P (Mate PT06E-10-6S [SR], not supplied)
CB	Bendix CF3102E-14S-6P (Mate CF3106E-14S-6S, not supplied)
CC	Bendix PCO2E-12-8P (Mate:PCO6A-12-8S-[SR] not supplied)
CD	Cannon WK6-32S (Mate WK6-21C not supplied)
CE	Terminal Block
CF	1/2" NPT Male Thread with 24" potted leads
CG	MS3102A-14S-6S (mate: MS3106F-14S-6P not supplied)
CJ	DIN 43650 (includes mate)
CO	Junction Box (thermocouple type) and terminal block
CZ	Alternate Connector/Cable/Other

ALTERNATE PRESSURE PORT

IC	F-375-C, 3/4-16(F) thread autoclave engineering type
ID	F-312-C150, 5/8-18(F) thread autoclave engineering type
FZ	Non-standard port

GENERAL

GA	Standardized FSO = (Full scale reading) - (Zero reading) ±0.5% FSO
GB	Alternate Electronic Output (Specify Zero and Span output Values.)
GE	Improved Temperature. Compensation to ±0.5% FSO/100°F for Zero and Span respectively, from 0°F to 180°F.
GF	Expanded process temperature range, -65 to 250°F (±2.0% FSO/100°F).
GG	Alternate shunt calibration signal (specify percentage FSO)
GH	Internal shunt calibration resistor, set to 100% ±0.5% FSO
GJ	Add Zero and Span Controls. (Approximately ±20% FSO adjustment)
GS	0-10 Vdc FSO, Model 212 only (Requires 14.5-32 Vdc excitation)
HE	±0.5% FSO zero balance
HL	RFI Protection (for unit in proximity to radio transmitter)
HR	±15 Vdc Excitation, Model 212
GZ	Customer special

2770 Long Road, Grand Island, NY 14072 USA

Tel. (716) 773-9300 Fax (716) 773-5019 E-mail:sales@gp50.com website:www.gp50.com