



Broadband

BROADBAND PLANAR SPIRAL ANTENNAS

Planar spiral antennas with a frequency range of 2 to 18GHz will measure approximately 20mm diameter.

Gain from 2dBiC to 7dBiC across the band.

Right or left hand circular polarisations.

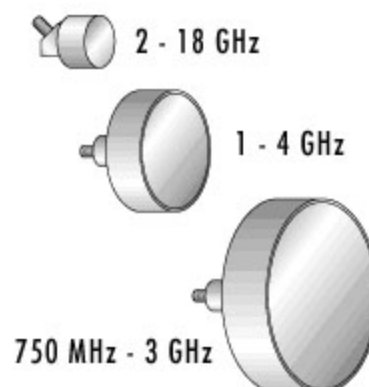
Multi octave bandwidths.

HPBW is typically 55° to 80°.

VSWR 2:1 or better across the band.

Provides 360° hemispherical coverage for live video links.

* Illustration demonstrates relative sizes of planar spiral antennas at different frequencies.



BROADBAND and ULTRA WIDEBAND, MULTI-OCTAVE, EXTENDED PERFORMANCE OMNI ANTENNAS

Extended performance omni antennas feature up to 2 octaves within the range 150MHz to 4GHz.

1 to 2dBi gain across the band.

Fully efficient, vertically polarised biconical design for higher power rating.

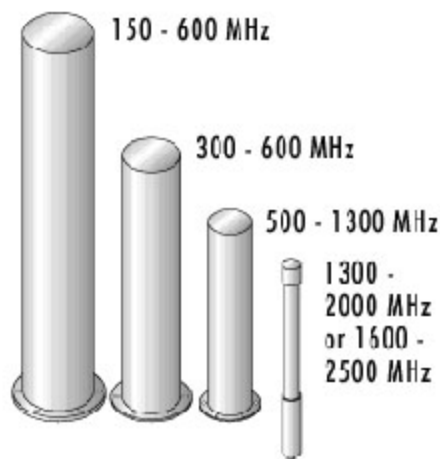
Balanced design eliminates the need for a ground plane.

Maximum VSWR 2.5:1 across band.

Rugged, with glass fibre radomes.

Elevation HPBW typically 60° to 80°.

* The illustration compares relative sizes of multi-octave antennas at different frequencies.



ANTENNA TYPES

FLAT PANEL ANTENNAS Slim, directional antennas with high gain.	Flat Panel
SECTOR ANTENNAS Directional antennas with sector coverage, 400MHz to 14GHz.	Sector
OMNI-DIRECTIONAL ANTENNAS Omni and end-fed dipole antennas, rugged, various polarisations	Omni
BROADBAND ANTENNAS Ultra-wide band coverage, Planar Spiral and Omni	Broadband
HELIX ANTENNAS Directional, medium gain, broad bandwidth.	Helix