

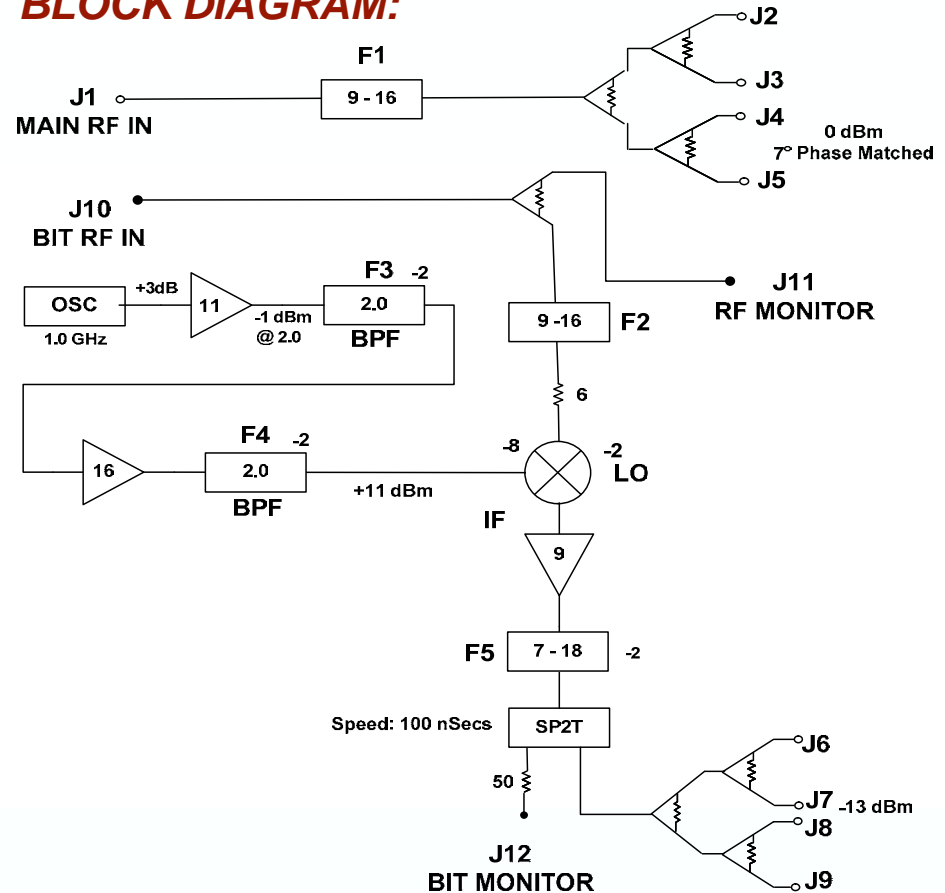
LO ASSEMBLIES

Fixed Multiple Outputs

KEY SPECIFICATIONS:

- Frequency Range: 0.5 – 40 GHz
- Amplitude Matching: <0.4 dB
- Phase Matching: <7 degrees
- TTL Control: 1 bit
- Internal Oscillator: 1.0 GHz

BLOCK DIAGRAM:



FIXED LO ASSEMBLIES

BLOCK DIAGRAM:

